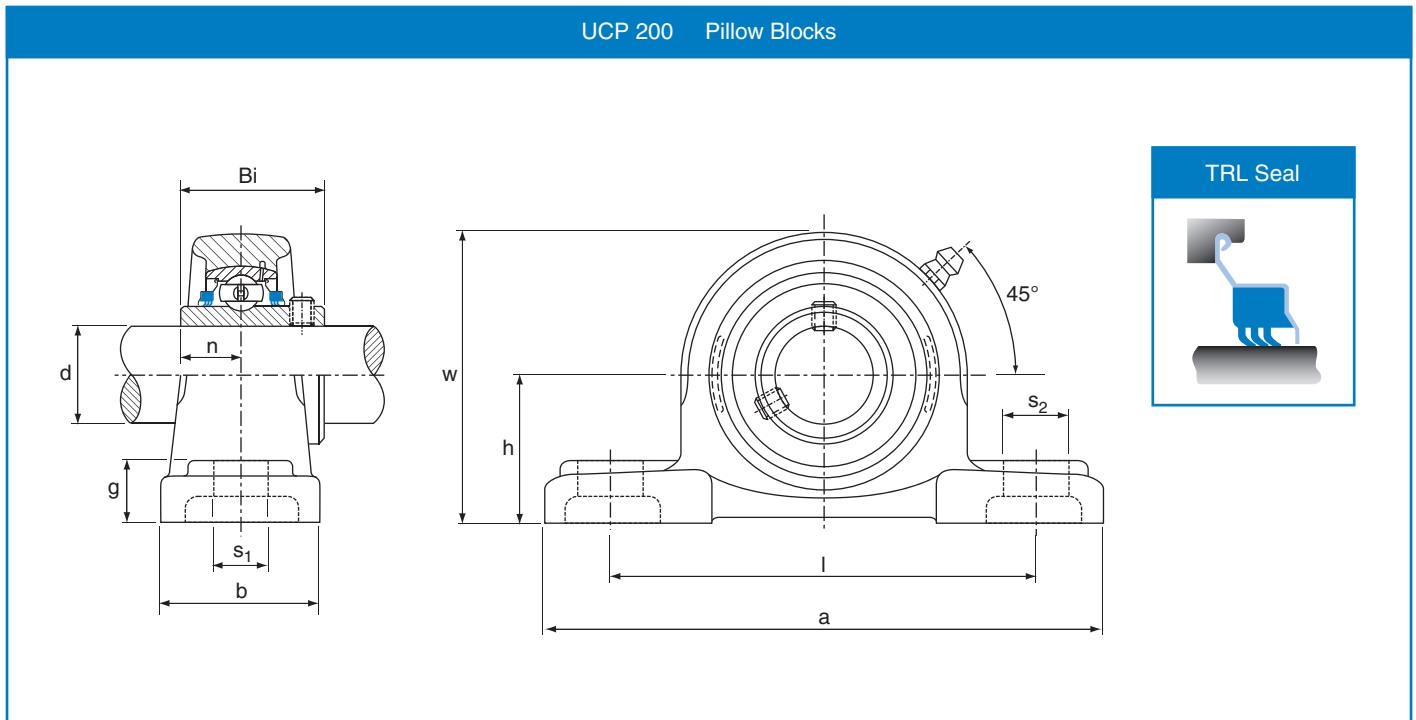


# Pillow Blocks



## UCP 200 Pillow Blocks (Normal Duty)

Bearing Unit	Shaft Dia.		h	a	l	b	s <sub>2</sub>	s <sub>1</sub>	g	w	Bi	n	Bolt Size		Insert No.	Housing No.	Weight kg
	d inch	d mm											inch	mm			
UCP 204 UCP 204-12	3/4"	20	33.3	127	95	38	19	13	14	65	31.0	12.7	3/8	M10	UC 204 UC 204-12	P204	0.65
UCP 205 UCP 205-16	1"	25	36.5	140	105	38	19	13	15	71	34.1	14.3	3/8	M10	UC 205 UC 205-16	P205	0.79
UCP 206 UCP 206-18	1.1/8"	30	42.9	165	121	48	20	17	17	84	38.1	15.9	1/2	M14	UC 206 UC 206-18	P206	0.79
UCP 207 UCP 207-20 UCP 207-22	1.1/4" 1.3/8"	35	47.6	167	127	48	20	17	18	93	42.9	17.5	1/2	M14	UC 207 UC 207-20 UC 207-22	P207	1.60
UCP 208 UCP 208-24	1.1/2"	40	49.2	184	137	54	20	17	18	100	49.2	19.0	1/2	M14	UC 208 UC 208-24	P208	2.00
UCP 209 UCP 209-28	1.3/4"	45	54.0	190	146	54	20	17	20	106	49.2	19.0	1/2	M14	UC 209 UC 209-28	P209	2.20
UCP 210 UCP 210-32	2"	50	57.2	206	159	60	23	20	21	113	51.6	19.0	5/8	M16	UC 210 UC 210-32	P210	2.80
UCP 211 UCP 211-32	2"	55	63.5	219	171	60	23	20	23	125	55.6	22.2	5/8	M16	UC 211 UC 211-32	P211	3.40
UCP 212 UCP 212-36	2.1/4"	60	69.8	241	184	70	23	20	25	138	65.1	25.4	5/8	M16	UC 212 UC 212-36	P212	4.80
UCP 213 UCP 213-40	2.1/2"	65	76.2	265	203	70	28	25	27	150	65.1	25.4	3/4	M20	UC 213 UC 213-40	P213	5.70
UCP 214 UCP 214-44	2.3/4"	70	79.4	266	210	72	28	25	27	156	74.6	30.2	3/4	M20	UC 214 UC 214-44	P214	7.00
UCP 215 UCP 215-48	3"	75	82.6	275	217	74	28	25	28	162	77.8	33.3	3/4	M20	UC 215 UC 215-48	P215	7.60
UCP 216		80	88.9	292	232	78	28	25	30	174	82.6	33.3		M20	UC 216	P216	9.00

All dimensions in millimetres unless otherwise stated. Every effort has been taken to ensure that the data listed in this catalogue is correct. Challenge accepts no liability for any inaccuracies or damage caused.